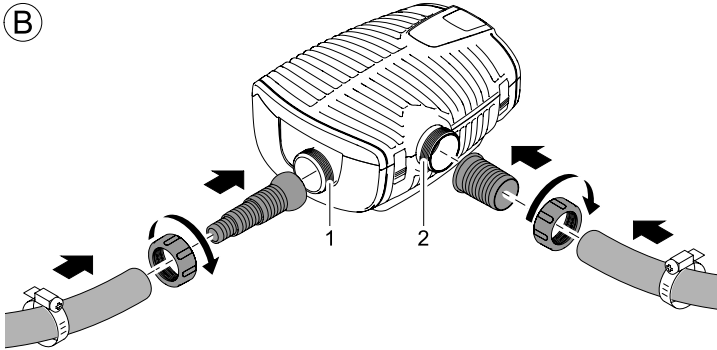
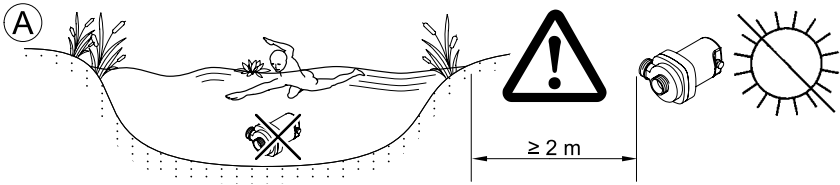




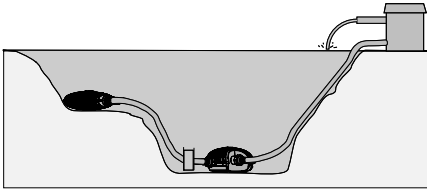
AquaMax Eco Premium 4000/6000/8000/10000/12000/16000

DE Gebrauchsanleitung
GB Operating instructions
FR Notice d'emploi
NL Gebruiksaanwijzing
ES Instrucciones de uso
PT Instruções de uso
IT Istruzioni d'uso
DK Brugsanvisning
NO Bruksanvisning
SE Bruksanvisning
FI Käyttöohje
HU Használati útmutató
PL Instrukcja użytkowania
CZ Návod k použití
SK Návod na použitie
SI Navodila za uporabo
HR Uputa o upotrebi
RO Instrucțiuni de folosință
BG Упътване за употреба
UA Посібник з експлуатації
RU Руководство по эксплуатации
CN 使用说明书

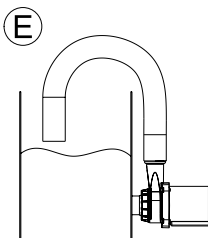
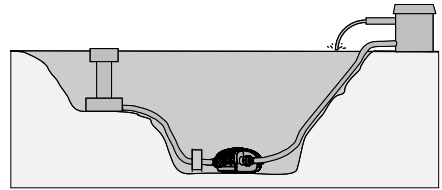




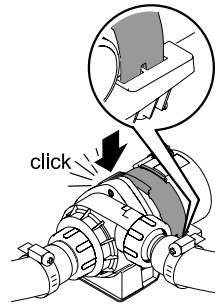
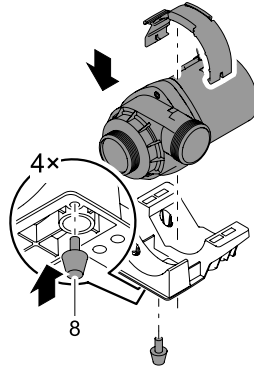
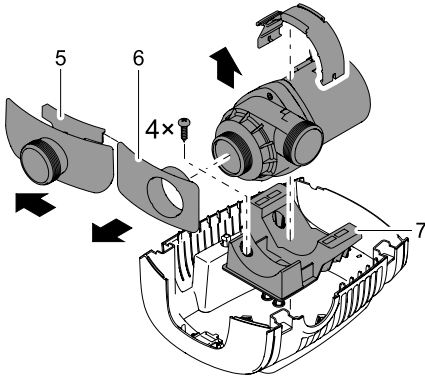
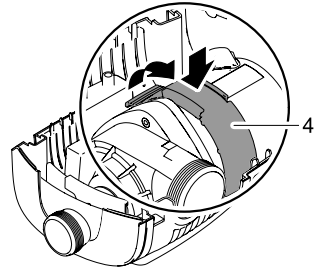
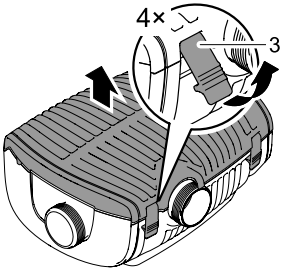
C AquaMax Eco Premium
4000, 6000, 8000, 10000, 12000, 16000



D AquaMax Eco Premium
4000, 6000, 8000, 10000, 12000, 16000

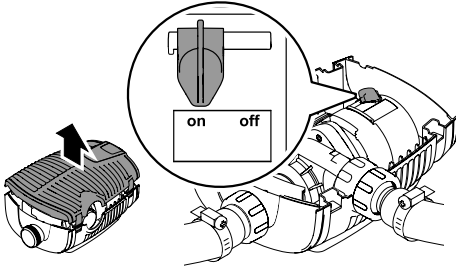


F

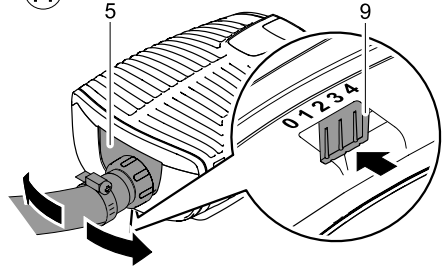


G

Aquamax Eco Premium 12000,16000



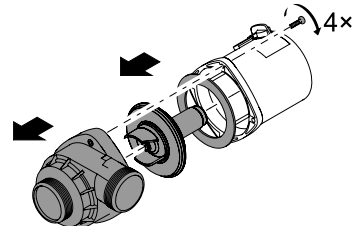
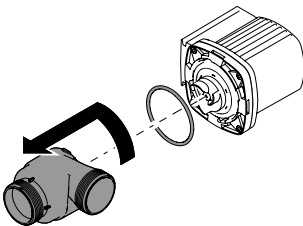
H



I

Aquamax Eco Premium 4000, 6000, 8000, 10000

Aquamax Eco Premium 12000,16000



Translation of the original Operating Instructions

Information about these operating instructions

Welcome to OASE Living Water. You made a good choice with the purchase of this product **AquaMax Eco Premium 4000, 6000, 8000, 10000, 12000, 16000**.


Prior to commissioning the unit, please read the instructions of use carefully and fully familiarise yourself with the unit. Ensure that all work on and with this unit is only carried out in accordance with these instructions.


Adhere to the safety information for the correct and safe use of the unit.


Keep these instructions in a safe place! Please also hand over the instructions when passing the unit on to a new owner.

Symbols used in these instructions

The symbols used in this operating manual have the following meanings:

 **Risk of injury to persons due to dangerous electrical voltage**
This symbol indicates an imminent danger, which can lead to death or severe injuries if the appropriate measures are not taken.

 **Risk of personal injury caused by a general source of danger**
This symbol indicates an imminent danger, which can lead to death or severe injuries if the appropriate measures are not taken.

 Important information for trouble-free operation.


Intended use

AquaMax Eco Premium 4000, 6000, 8000, 10000, 12000, 16000, in the following termed "unit", and all other parts from the delivery scope may be used exclusively as follows:

- For pumping normal pond water for filters, waterfalls and water courses.
- Operation under observance of the technical data.

The following restrictions apply to the unit:

- Do not use in swimming ponds.
- Never use the unit to convey fluids other than water.
- Never run the unit without water.
- Do not use for commercial or industrial purposes.
- Do not use in conjunction with chemicals, foodstuff, easily flammable or explosive substances.

 **Attention! Risk of damage!**
Ensure that the unit does not take in air or run dry. Do not connect the unit to the domestic water lines.

Safety information

The company **OASE** has built this unit according to the state of the art and the valid safety regulations. Despite the above, hazards for persons and assets can emanate from this unit if it is used in an improper manner or not in accordance with its intended use, or if the safety instructions are ignored.

For safety reasons, children and young persons under 16 years of age as well as persons who cannot recognise possible danger or who are not familiar with these operating instructions, are not permitted to use the unit. Keep children under supervision to ensure that they do not play with the unit.

Hazards encountered by the combination of water and electricity

- The combination of water and electricity can lead to death or severe injury from electrocution, if the unit is incorrectly connected or misused.
- Prior to reaching into the water, always switch off the mains voltage to all units used in the water.

Correct electrical installation

- Electrical installations must meet the national regulations and may only be carried out by a qualified electrician.
- A person is regarded as a qualified electrician, if, due to his/her vocational education, knowledge and experience, he or she is capable of and authorised to judge and carry out the work commissioned to him/her. Working as a qualified person also includes the recognition of possible hazards and the adherence to the pertinent regional and national standards, rules and regulations.
- For your own safety, please consult a qualified electrician.
- The unit may only be connected when the electrical data of the unit and the power supply coincide. The unit data is to be found on the unit type plate or on the packaging, or in this manual.
- Ensure that the unit is fused for a rated fault current of max. 30 mA by means of a fault current protection device.
- Extension cables and power distributors (e.g. outlet strips) must be suitable for outdoor use.
- Ensure that the power connection cable cross section is not smaller than that of the rubber sheath with the identification H05RN-F. Extension cables must meet DIN VDE 0620.
- Protect the plug connections from moisture.
- Only plug the unit into a correctly fitted socket.

Safe operation

- Never operate the unit if either the electrical cables or the housing are defective!
- Do not carry or pull the unit by its electrical cable.
- Route all cables such that damage is excluded and nobody can trip over them.
- Never open the unit housing or its attendant components, unless this is explicitly required in the operating instructions.
- Only use original spare parts and accessories for the unit.
- Never carry out technical modifications to the unit.
- Only have repairs carried out by customer service points authorised by OASE.
- The power connection cables cannot be replaced. When the cable is damaged, the unit or the component needs to be disposed of.
- Only operate the unit if no persons are in the water!
- Keep the socket and power plug dry.

Important! The unit is equipped with a permanent magnet. The magnetic field may affect the function of pacemakers.

Installation

The unit can be placed submerged or dry.

Always place the unit below water level.

Place the unit horizontally on the ground ensuring its stable position.

Connect the unit

Figure B

Recommendation for the use of the stepped hose adapter and hose connector:

AquaMax Eco Premium 4000, 6000:

- Second inlet (1): Stepped hose adapter 1 to 1½ "
- Pump outlet (2): Hose connector 1½ " (alternative: stepped hose adapter 1 to 1½ ")

AquaMax Eco Premium 8000, 10000, 12000, 16000:

- Second inlet (1): Stepped hose adapter 1 to 1½ "
- Pump outlet (2): Hose connector 2 " (alternative: stepped hose adapter 1 to 1½ ")

Push the hose clip and the union nut over the hose. Fit the hose on the stepped hose adapter or hose connector and secure with the hose clip.

Fit the stepped hose adapter or hose connector on the second inlet (1) or pump outlet (2) and hand-tighten the union nut.

Operate the unit with the pond filter.

Figure B

Connect the pump outlet (2) to the pond filter. Close the second inlet (1) with the screw cap.

Operate the unit with the satellite filter, or with the skimmer and pond filter.

Figure (C, D)

Connect the second inlet (1) to the satellite filter or skimmer. Connect the pump outlet (2) to the pond filter.

Set the inlet regulator

Figure (H)

Unlock the locking (9) (pull towards the inlet regulator) while pushing the inlet regulator (5) to the desired position (0 to 4).

- 0: Second inlet closed. Water is only drawn in via the housing (strainer casings).
- 1 to 3: Part of the water is drawn in via the housing (strainer casings), and part via the second inlet.
- 4: The second inlet is fully open. Water is only drawn in via the second inlet.

Recommendation:

- When operating with the second inlet closed, turn the inlet regulator (5) to 0.
- When operating with the satellite filter or skimmer, turn the inlet regulator (5) to a position between 1 to 4.

Install the unit at a dry place

Figure (E, F)

Install the unit so that it is not exposed to direct sun radiation (max. 40 °C).

Open the clips (3) and remove the strainer top casing.

Release the clamp (4) and take pump out of the bottom strainer casing. Pull suction adapter (6) and inlet regulator (5) from the pump.

Remove screws provided for fastening the holder (7). Remove holder from the bottom strainer casing.

Plug the rubber feet (8) (part of the accessory kit) in the openings provided for this purpose on the bottom of the holder (7).

Place the pump back into the holder (7) and fasten with the clamp (4).

Connect the suction and pressure line. The require assembly items are included in the accessory kit.

Start-up



Attention! The pump must never run dry.

Possible consequence: The pump will be destroyed.

Protective measure: Check the water level at regular intervals. Always place the unit below water level.



Attention! The installed temperature monitor automatically turns the pump off, if it is overloaded. The pump automatically switches on again once the motor has cooled down. **Risk of accident!**

This is how to connect the power supply:

Switching on: Connect power plug to the socket. The unit switches on immediately when the power connection is established.

Switching off: Disconnect the power plug.



Note:

A brand-new pump will only achieve its maximum capacity after several operating hours.

During start-up, the pump automatically undergoes a pre-programmed self-test of approx. two minutes (**Environmental Function Control (EFC)**). The pump runs through various speeds and detects whether it runs dry (is blocked) or is submerged. The pump switches off automatically after approx. 90 seconds if it runs dry (is blocked). The pump automatically makes new attempts to start up at regular intervals. In the event of a malfunction, disconnect the power supply and flood the pump or remove the obstacle. Following this, the unit can be restarted.

Aquamax Eco Premium 12000, Eco Premium 16000

Figure (G)

AquaMax Eco Premium 12000, 16000

With the SFC function activated, the pump automatically optimises the amount of water as well as the head height. It reduces this head height to 50 %. The SFC allows the pump to adapt to the individual pond ecology throughout the year, it supports the pond biology (winter mode, transition mode and summer mode) by temperature dependent water circulation and saves energy. SFC does not function when installed dry. The SFC can be activated and deactivated by means of the slide on the pump. When deactivated, the speed does not change temperature dependent and remains on maximum throughout the year. If a skimmer, a satellite filter or an InScenio control unit (OASE accessories!) is used, it might be recommendable to deactivate the SFC, depending on the unit.

The pump power can only be controlled by an OASE current management unit.

Maintenance and cleaning



Attention! Dangerous electrical voltage.
Possible consequences: Death or severe injury.
Protective measures:

- Prior to reaching into the water, disconnect the power supply to all units used in the water.
- Disconnect the power plug prior to carrying out work on the unit.

Cleaning the unit

If necessary, clean the unit with clear water using a soft brush.

- Never use aggressive cleaning agents or chemical solutions. These could attack the housing surface or impair the function.
- In the event of stubborn furring (calcium deposits), a common household cleaner free from vinegar and chlorine can be used. Subsequently, clean the pump thoroughly using clear water.

Cleaning the pump

Figure (I)

Remove hoses from the unit. Open the clips (3) and remove the strainer top casing.

Release the clamp (4) and take pump out of the bottom strainer casing. Pull suction adapter (5) and regulator (6) from the pump.

AquaMax Eco Premium 4000, 6000, 8000, 10000:

- Vigorously turn the pump housing counter-clockwise (bayonet lock) and remove.
- Clean the pump housing, O ring and impeller under clean water using a brush.
- Check parts for damage and replace, if necessary.
- Reassemble in the reverse order.

AquaMax Eco Premium 12000, 16000:

- Remove screws and the pump housing.
- Clean the pump housing, impeller and flat seal under clean water using a brush.
- Check parts for damage and replace, if necessary.
- Reassemble in the reverse order.

Malfunction

Malfunction	Cause	Remedy
The unit does not perform its suction function	No mains voltage Impeller blocked/running dry	Check mains voltage Clean/check supply lines
Water flow insufficient	Strainer casing/satellite filter clogged Hose blocked Hose kinked Excessive loss in the hose due to friction SFC reduces the water quantity	Clean Clean, or replace, if necessary Check hose, and replace, if necessary Reduce hose length to reduce frictional loss Deactivate the SFC
Unit switches off after a short running period	Strainer casing clogged Unit running dry	Clean Check supply line

Disposal



Do not dispose of this unit with domestic waste! For disposal purposes, please use the return system provided. Disable the unit beforehand by cutting off the cables.

Storage/Over-wintering

The unit is frost resistant to minus 20 °C. Should you store the unit outside of the pond, clean it thoroughly with a soft brush and water, check it for damage, then store immersed in water or filled with water. Do not immerse the power plug in water!

Repair

A damaged unit cannot be repaired and must be put out of operation. Dispose of the unit in accordance with the regulations.

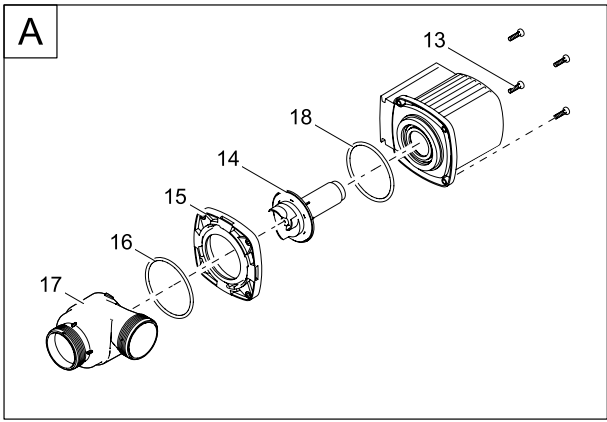
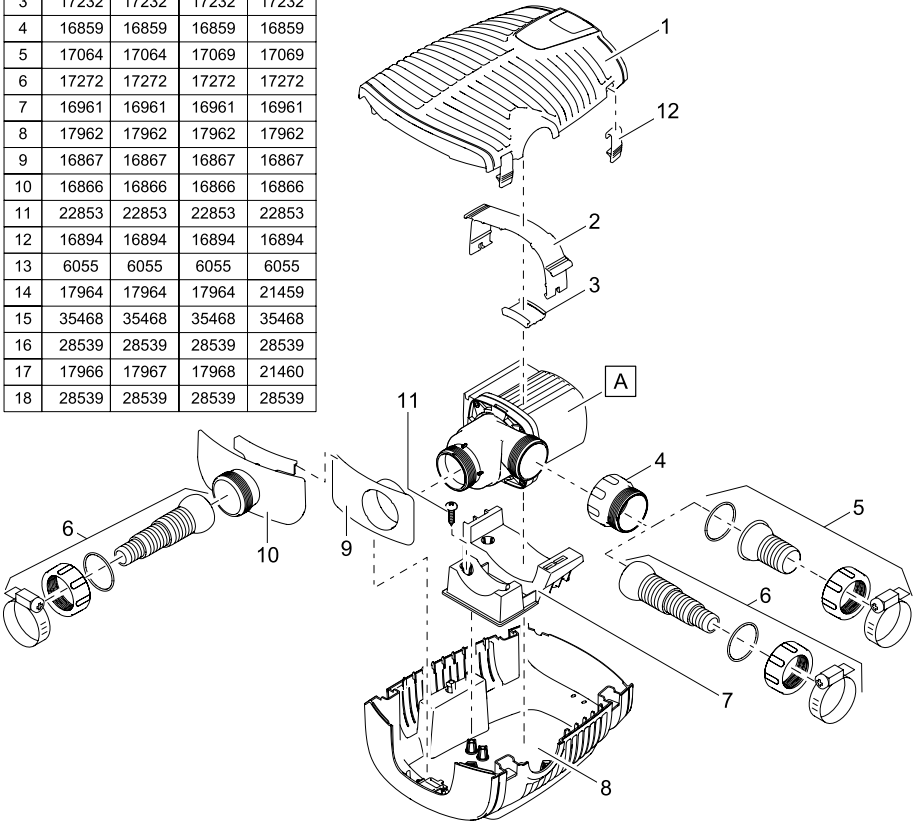
Wear parts

The impeller unit is a wearing part and does not fall under the warranty.

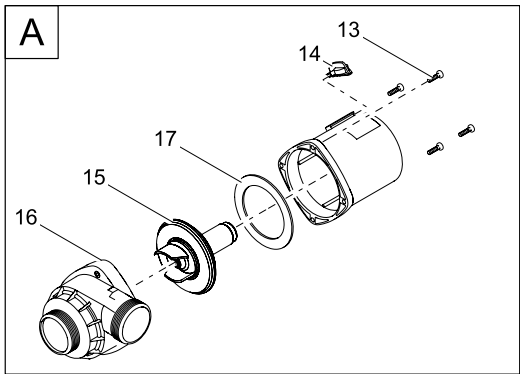
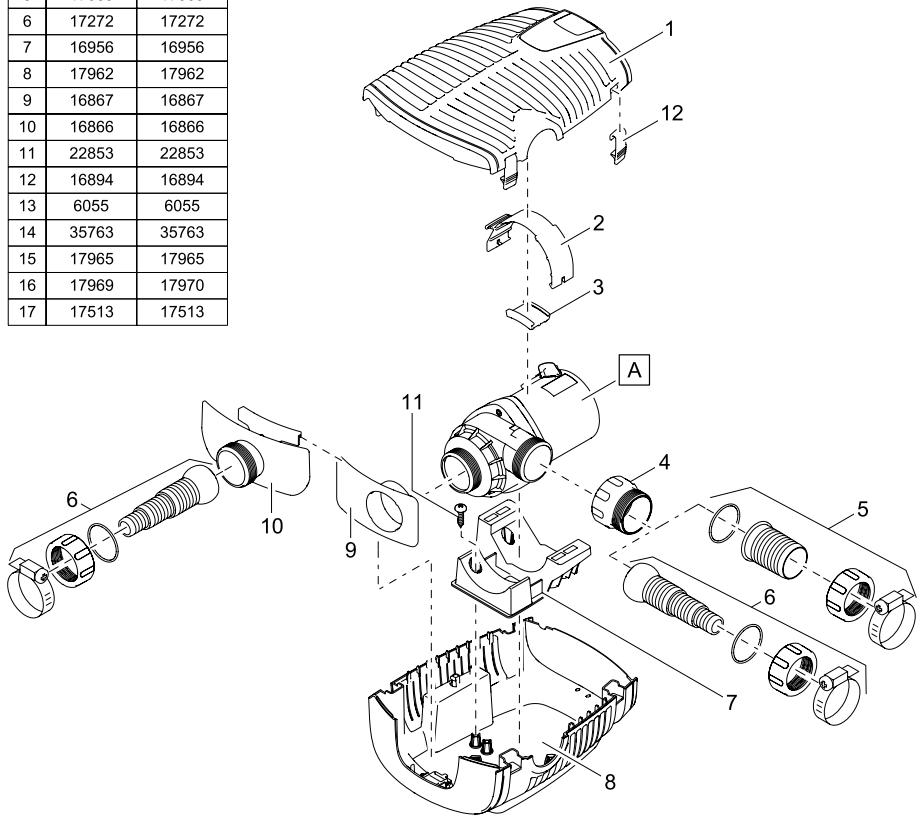
DE	Typ	Bemessungsspannung	Leistungsaufname	Förderleistung	Wassersäule	Tauchtiefe	Gewicht	Wassertemperatur
GB	Type	Rated voltage	Power consumption	Max. flow rate	Max. head height	Immersion depth	Weight	Water temperature
FR	Type	Tension de mesure	Puissance absorbée	Capacité de refoulement	Colonne d'eau	Profondeur d'immersion	Poids	Température de l'eau
NL	Type	Dimensioneringspanning	Vermogensopname	Pompcapaciteit	Waterkolom	Dieptediepte	Gewicht	Watertemperatuur
ES	Tipo	Tensión asignada	Consumo de potencia	Capacidad de elevación	Columna de agua	Profundidad de inmersión	Peso	Temperatura del agua
PT	Tipo	Voltagem considerada	Potência absorvida	Débito	Coluna de água	Profundidade de imersão	Peso	Temperatura da água
IT	Tipo	Tensione di taratura	Potenza assorbita	Portata	Colonna d'acqua	Profondità d'immersione	Peso	Temperatura dell'acqua
DK	Type	Nominal spænding	Effektforbrug	Transportkapacitet	Vandsøjle	Bassindybde	Vægt	Vandtemperaturen
NO	Type	Merkespennning	Effektforbruk	Kapasitet	Vannsoyle	Nedsenkingsdybde	Vekt	Vanntemperatur
SE	Type	övre märkspänning	Effekt	Mätningsestanda	Vattenspelare	Doppningsdjup	Vikt	Vattentemperatur
FI	Tyyppi	mitoitussjännite	Ottoteho	Syöttöteho	Vesipylväs	Uputussyvyyys	Paino	Veden lämpötila
HU	Típus	mért feszültség	Teljesítményfelvétel	Szállítási teljesítmény	Vízoszlop	Mértelési mélység	Súly	Víz hőmérséklet
PL	Typ	napięcie znamionowe	Pobór mocy	Wydażność pompowania	Stup wody	Głębokość zanurzenia	Ciężar	Temperatura wody
CZ	Typ	domozvací napětí	Příkon	Dopravní výkon	Vodní sloupec	Hlubka ponoření	Hmotnost	Teplota vody
SK	Typ	dimenzované napätie	Příkon	Dopravný výkon	Vodný stĺpec	Hĺbka ponorenia	Hmotnosť	Teplota vody
SI	Tip	dimenzionirana napetost	Poraba moči	Črpana zmogljivost	Vodni steber	Potopna globlina	Teža	Temperatura vode
HR	Tip	gornji nazivni napon	Potrošnja energije	Protočni kapacitet	Vodeni stup	Dubina uranjanja	Težina	Temperatura vode
RO	Tip	tensiunea măsurată	Putege consumată	Debit de pompare	Coloană de apă	Adâncime de imersie	Greutate	Temperatura apei
BG	Тип	номинално напрежение	Потребявана мощност	Дебит	Воден стълб	дълбочина на потапяне	Тегло	Температурата на водата
UA	Тип	розрахункова напруга	Споживання електроенергії	Продуктивність	Водяний стовп	Глибина занурення	Вага	Температура води
RU	Тип	расчётное напряжение	Потребление мощности	Проквадительность	Водяной столб	Глубина погружения	Вес	Температура воды
CN	型号	设计电压	功耗	输送能力	水柱	潜水深度	重量	水温
	4.000		40 W	max. 4.000 l/h	max. 3.3 m	max. 4 m	5.3 kg	+4 ... +35 °C
	6.000		50 W	max. 6.000 l/h	max. 3.7 m			
Aquamax	8.000	-220-240 V, 50/60 Hz	65 W	max. 8.000 l/h	max. 4.1 m			
Eco	10.000		88 W	max. 10.000 l/h	max. 4.7 m			
Premium	12.000		110 W	max. 12.000 l/h	max. 5.0 m			
	16.000		145 W	max. 16.000 l/h	max. 5.2 m			

	IP 68 				
DE	Staubdicht. Wasserdicht bis 4 m Tiefe.	Mögliche Gefahren für Personen mit Herzschrittmachern!	Vor direkter Sonneneinstrahlung schützen.	Nicht mit normalem Hausmüll entsorgen!	Achtung! Lesen Sie die Gebrauchsanleitung
GB	Dust tight. Submersible to 4 m depth.	Possible hazard for persons wearing pace makers!	Protect from direct sun radiation.	Do not dispose of together with household waste!	Attention! Read the operating instructions
FR	Imperméable aux poussières. Étanche à l'eau jusqu'à une profondeur de 4 m.	Dangers possibles pour des personnes ayant des stimulateurs cardiaques !	Protéger contre les rayons directs du soleil.	Ne pas recycler dans les ordures ménagères !	Attention ! Lire la notice d'emploi
NL	Stofdicht. Waterdicht tot een diepte van 4 m.	Mogelijke gevaren voor mensen met een pacemaker!	Beschermen tegen direct zonlicht.	Niet bij het normale huisvuil doen!	Let op! Lees de gebruiksaanwijzing
ES	A prueba de polvo. Impermeable al agua hasta 4 m de profundidad.	Posibles peligros para las personas con marcapasos.	Protéjase contra la radiación directa del sol.	¡No deseché el equipo en la basura doméstica!	¡Atención! Lea las instrucciones de uso
PT	À prova de pó. À prova de água até 4 m de profundidade.	Eventuais perigos para pessoas com pacemakers!	Proteger contra radiação solar directa.	Não deitar ao lixo doméstico!	Atenção! Leia as instruções de utilização
IT	A tenuta di polvere. Impermeabile all'acqua fino a 4 m di profondità.	Possibili pericoli per persone con pace-maker!	Proteggere contro i raggi solari diretti.	Non smaltire con normali rifiuti domestici!	Attenzione! Leggete le istruzioni d'uso!
DK	Støvtæt. Vandtæt ned til 4 m dybde.	Mulig fare for personer med pacemaker	Beskyt mod direkte sollys.	Må ikke bortskaffes med det almindelige husholdningsaffald.	OBS! Læs brugsanvisningen
NO	Støvtett. Vanttett ned til 4 m dyp.	Kan være farlig for personer med pacemaker!	Beskytt mot direkte sollys.	Ikke kast i alminnelig husholdningsavfall!	NB! Les bruksanvisningen
SE	Dammtät. Vattentät till 4 m djup.	Möjlig risk för personer med pacemaker!	Skydda mot direkt solstrålning.	Får inte kastas i hushållsoporna!	Varning! Läs igenom bruksanvisningen
FI	Pölytiivis. Vesitiivis 4 m syvyteen asti	Mahdollinen vaara sydämentahdistinta käyttäville henkilöille!	Suojattava suoralta auringonvalolta.	Älä hävittää laitetta tavallisen talousjätteen kanssa!	Huomio! Lue käyttöohje
HU	Portómitett. Vízálló 4 m-es mélységig.	A készülék veszélyes lehet szívritmus-szabályozóval rendelkező személyekre!	Óvja közvetlen napugárzástól.	A készüléket nem a normál háztartási szeméttel együtt kell megsemmisíteni!	Figyelem! Olvassa el a használati útmutatót
PL	Pyłoszczelny. Wodoszczelny do 4 m głębokości.	Możliwość wystąpienia zagrożenia dla osób ze stymulatorami	Chronić przed bezpośrednim nasłonecznieniem.	Nie wyrzucać wraz ze śmieciami domowymi!	Uwaga! Przeczytać instrukcję użytkowania!
CZ	Prachotěsný. Vodotěsný do hloubky 4 m.	Možná nebezpečí pro osoby s kardiostimulátory!	Chránit před přímým slunečním zářením.	Nelikvidovat v normálním komunálním odpadu!	Pozor! Přečtěte Návod k použití!
SK	Prachotesný. Vodotesný do hlbky 4 m.	Možné nebezpečenstvo pre osoby s kardiostimulátormi!	Chránit' pred priamym slnečným žiarením.	Nelikvidovať v normálnom komunálnom odpade!	Pozor! Prečítajte si Návod na použitie
SI	Ne prepušča prahu. Ne prepušča vode do globinen 4 m.	Obstaja nevarnost za ljudi s srčnim spodbujevalnikom!	Zaščitite pred neposrednimi sončnimi žarki.	Ne zavržite skupaj z gospodinjiskimi odpadki!	Pozor! Preberite navodila za uporabo!
HR	Ne propušta prašinu. Ne propušta vodu do 4 m dubine.	Moguće opasnosti za nositelje elektrostimulatora!	Zaštitite od izravnog sunčevog zračenja.	Nemojte ga bacati u običan kućni otpad!	Pažnja! Pročitajte upute za upotrebu!
RO	Etanș la praf. Etanș la apă, până la o adâncime de 4 m.	Posibile pericole pentru persoane cu by-pass cardiac !	Protejați împotriva razelor directe ale soarelui.	Nu aruncați în gunoaiul menajer !	Atenție ! Citiți instrucțiunile de utilizare !
BG	Защитено от прах. Водостойчив до дълбочина 4 м.	Възможен риск за хора с пейс-мейкър!	Да се пазят от слънчевите лъчи.	Не изхвърляйте заедно с обикновения домашкински боклук!	Внимание! Прочетете утъването
UA	Пилонепроникний. Водонепроникний до 4 м.	Небезпека для осіб з кардіостимулятором	Пристрій повинен бути захищений від прямого сонячного випромінювання.	Не викидайте разом із побутовим сміттям!	Увага! Читайте інструкцію.
RU	Пыленепрониц. Водонепрониц. на глубине до 4 м.	Возможная опасность для лиц с кардиостимулятором!	Защищать от прямого воздействия солнечных лучей.	Не утилизировать вместе с домашним мусором!	Внимание! Прочитайте инструкцию по использованию
CN	防尘。至 4 米深防水。	可能对带有心脏起搏器人员有危险!	防止阳光直射。	不要与普通的家庭垃圾一起丢弃!	注意! 请阅读使用说明书。

AquaMax Eco Premium				
Pos.	4000	6000	8000	10000
1	17963	17963	17963	17963
2	16978	16978	16978	16978
3	17232	17232	17232	17232
4	16859	16859	16859	16859
5	17064	17064	17069	17069
6	17272	17272	17272	17272
7	16961	16961	16961	16961
8	17962	17962	17962	17962
9	16867	16867	16867	16867
10	16866	16866	16866	16866
11	22853	22853	22853	22853
12	16894	16894	16894	16894
13	6055	6055	6055	6055
14	17964	17964	17964	21459
15	35468	35468	35468	35468
16	28539	28539	28539	28539
17	17966	17967	17968	21460
18	28539	28539	28539	28539



AquaMax Eco Premium		
Pos.	12000	16000
1	17963	17963
2	16982	16982
3	17232	17232
4	16859	16859
5	17069	17069
6	17272	17272
7	16956	16956
8	17962	17962
9	16867	16867
10	16866	16866
11	22853	22853
12	16894	16894
13	6055	6055
14	35763	35763
15	17965	17965
16	17969	17970
17	17513	17513





OASE GmbH · www.oase-livingwater.com

Tecklenburger Straße 161 · 48477 Hörstel · Postfach 20 69 · 48469 Hörstel · Germany



21461/07-H